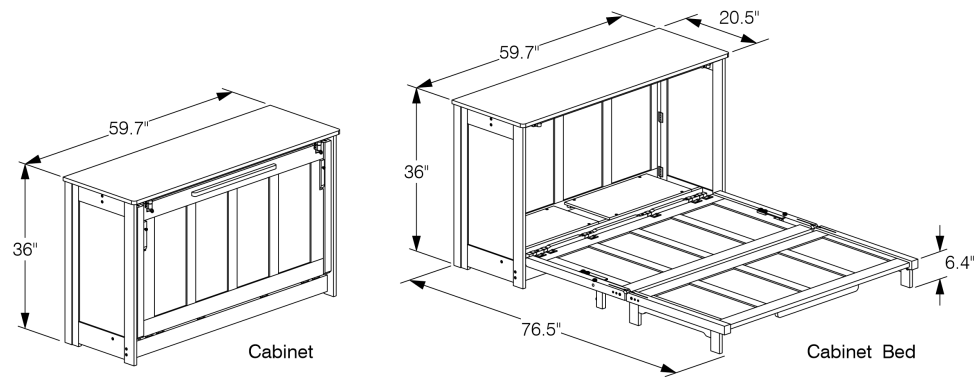


**ORION MURPHY CABINET BED - TWIN SIZE**

**Orion Murphy Cabinet Bed**

	Box H	Box W	Box L	Cubes	Net Wt.	Gr. Wt.
Twin	980mm	300mm	1180mm	0.347m3	51.0Kg	56.5Kg
MUR-ORI-TWN-	38.6"	11.8"	46.5"	12.25cuft	112.4lb	124.6lb

Full	980mm	300mm	1620mm	0.476m3	66.0Kg	73.5Kg
MUR-ORI-FUL-	38.6"	11.8"	63.8"	16.82cuft	145.5lb	162.0lb



**ORION MURPHY CABINET BED - FULL SIZE**

**Assembled Product and Carton Dimensions\***

*\*Please Note The Above Weights and Measures may be subject to change without notice.*



SPICES BEDROOM COLLECTION

*Orion*

*Murphy Cabinet Bed*